



Installation Guide For Paymax Cabinet



Introduction

The PAYMAX Machine is designed to be installed either directly on a wall or on an optional pedestal or both if the wall does not have the sufficient strength to hold the machine.

The following instructions are for a machine anchored in the floor using the specially designed base or pedestal.

The pedestal comes with the required opening allowing to you to fix it in the floor adequately. The bottom of the pedestal is larger than the top offering a better stability. The pedestal is held in place with four anchoring devices you must select carefully depending the type of floor it is standing on.

An electrical conduit will also come out of the floor and pass through the pedestal to reach the base of the PayMax cabinet.

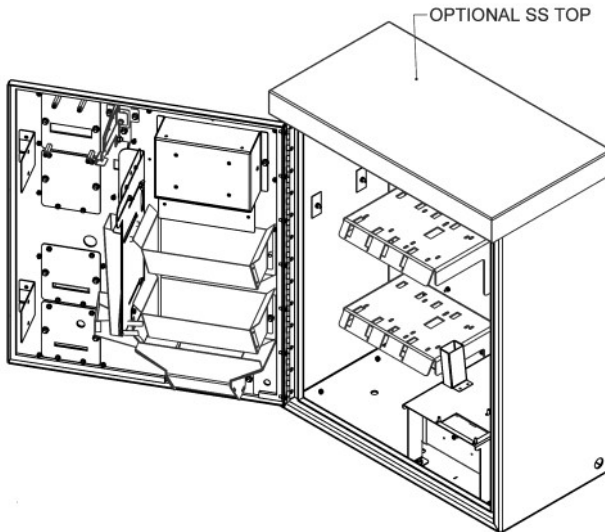
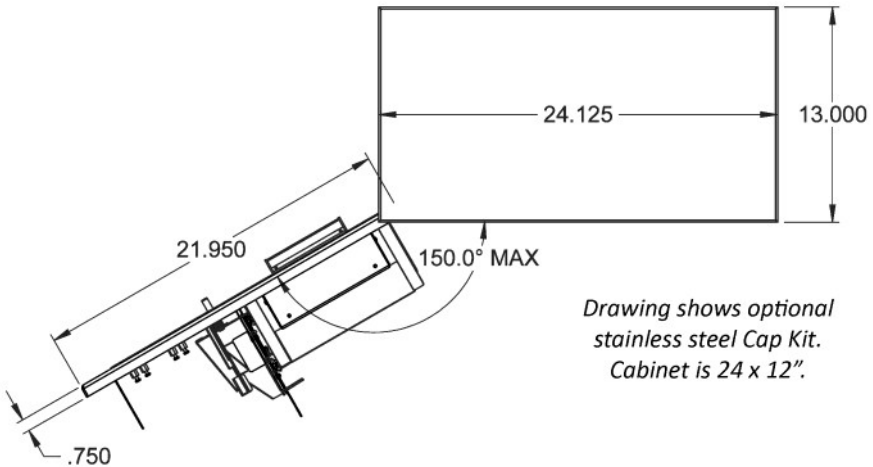
If you have two machines to install on the very same location, they can be mounted back-to-back as the holes behind the PayMax cabinet are symmetrical.

Please note: Unless indicated otherwise, all measurements in the booklet are imperial (inches).

Remember that such a machine can hold a large quantity of money and can then stir up the covetousness of many. Therefore, it is YOUR ABSOLUTE RESPONSABILITY to make sure your installation is solid enough and resistant to tearing attempts. In case of doubt, refer to a building contractor.

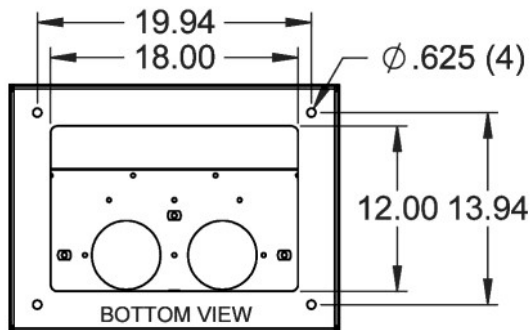
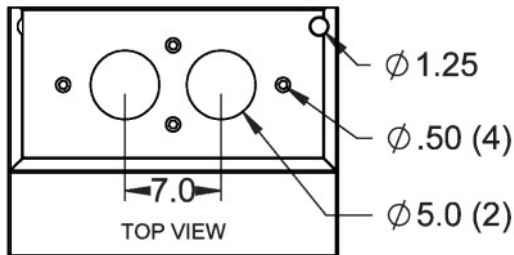
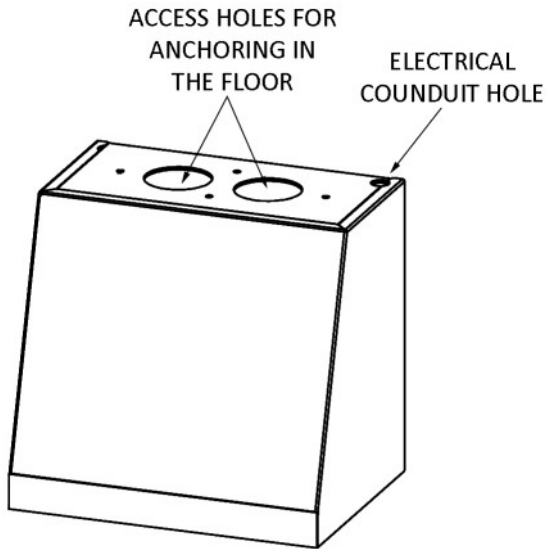
Installation

The first thing to evaluate is the correct place to install the machine. The door of the PayMax machine opens right to left. You must then allow sufficient room to allow the door to swing out entirely. The door is 22 inches wide and swings out to 150 degrees max as seen in the sketch below.

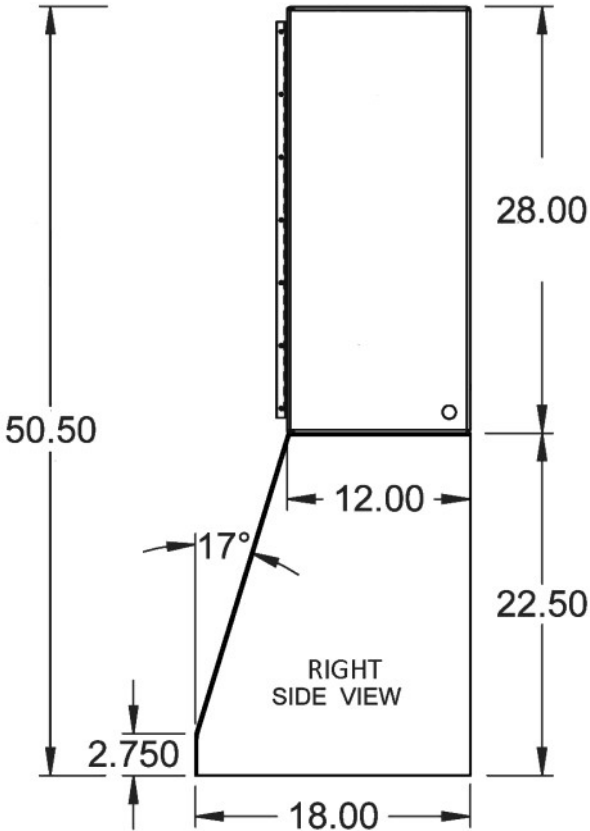


Once done, you can then prepare your installation by figuring where your electrical metal conduit will come out of the floor and preparing the four anchoring point.

The pedestal comes with the necessary holes allowing installation. Below are three sketches showing you the dimensions of the pedestal along with the different positions and sizes of the various openings.



The dimensions of the pedestal at the base are 24 " wide by 18" deep. The top of the pedestal sees its depth reduced to 12" to match the cabinet. That gives a 17 degrees angle forward towards the base. The height of the pedestal is 22.5". Combined with the height of the cabinet, it gives an overall height of 50.5 ".

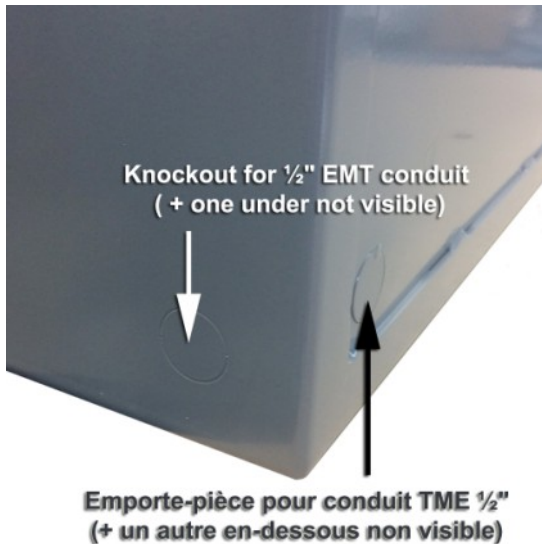


There is no empty space between the base of the pedestal and the floor. Therefore, the anchoring device you will use does not need to extend high above the surface of the floor. In a concrete floor, an anchor sleeve 1/2X3 HEX will offer sufficient protection against pull-out and shear. In a 4000PSI concrete floor, the ultimate tension is 4400 lbs and the ultimate shear is 5000 lbs providing the sleeve is embedded to a minimum of 1,875 inch (1 7/8") in the concrete floor.



Electrical connection

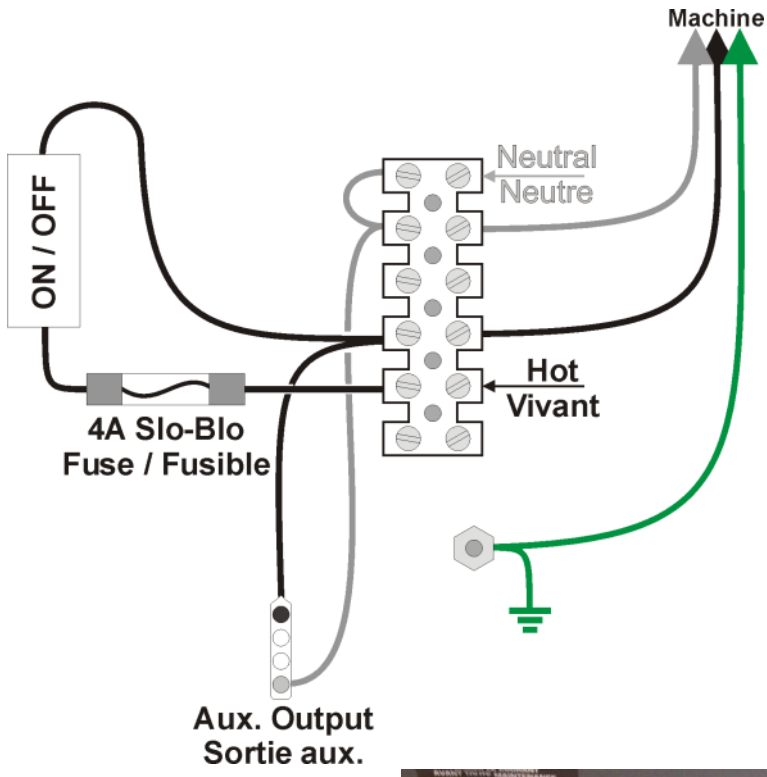
There is no power cord coming out of the machine. This allows you to select the most adequate way to power-up your machine. At the bottom right corner of the cabinet are three knock-out holes that will allow you to pass the wiring. The holes will fit this type of electrical connector.



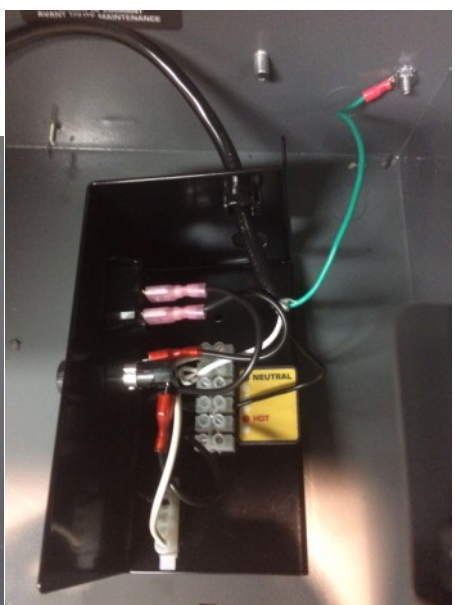
The machine requires a standard 120-volt, 60Hz, 15 amps power source **properly grounded**. It does not have to be on a dedicated circuit. The actual machine will draw a maximum of 1.7 amp, 4 if there is an internal optional heating device.

The wiring enters the junction box where you will make the proper connection. Refer to a certified electrician for a secured connection.

The machine is protected by a 4 amps, *slo-blo* fuse located in the junction box, under the main switch. The main switch cuts power (hot only) to the entire machine.



Aux. Output
Sortie aux.



S.E.M. Inc.

3610 Valiquette St. Montreal, QC, H4S 1X8

Ph: 514-334-7569

TF: 888-334-7569

Fax: 514-334-5922

Web: www.sem.ca

Email: info@sem.ca